

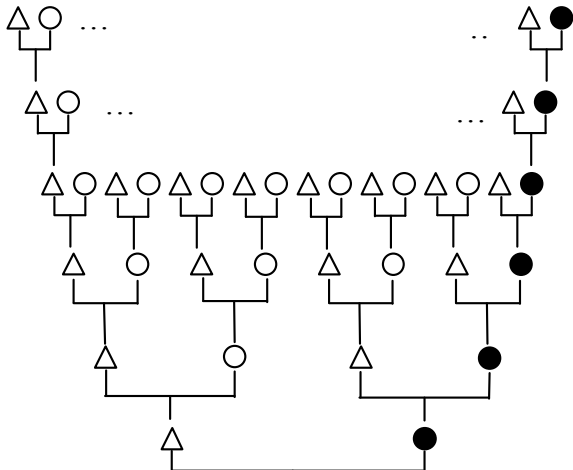
WHAT DOES IT TEST ANSWER KEY

Directions:

Draw a circle or a triangle in the square at the bottom of each diagram, to symbolize the person being tested.

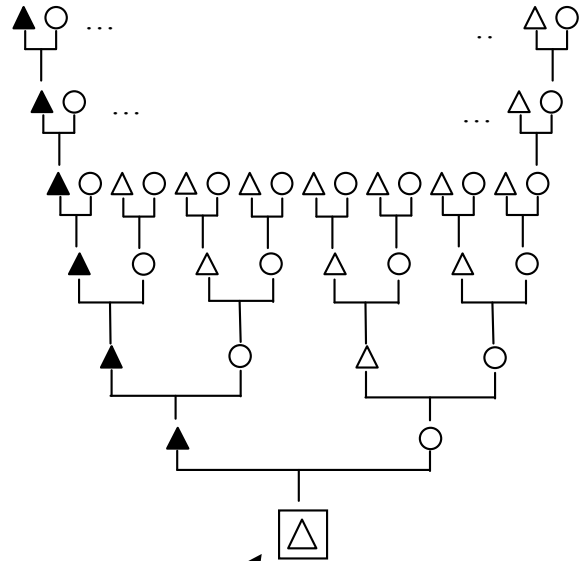
Shade in the symbols for the ancestors whose genetic information is included in each test.

Mitochondrial DNA



(Circles OR triangles)

Y-chromosome



(MUST be a triangle – only males can use the y-line test)

Admixture

