

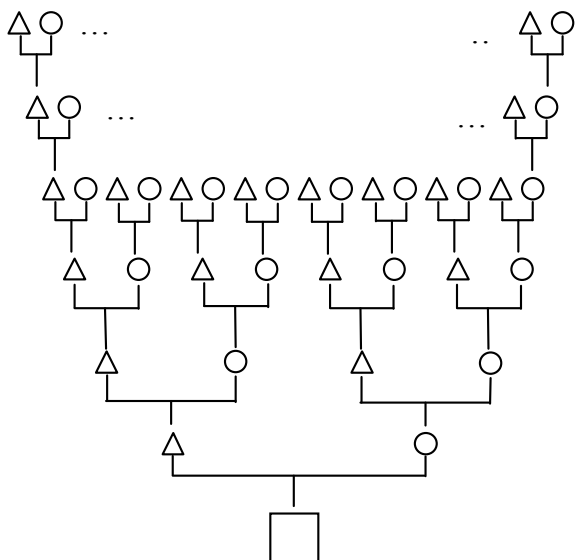
WHAT DOES IT TEST?

Directions:

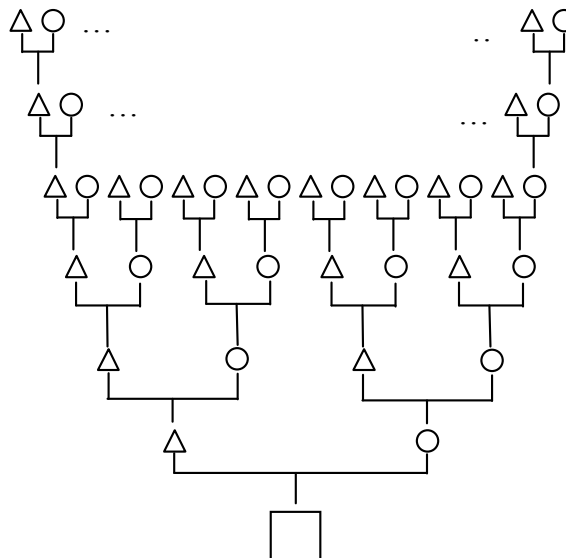
Draw a circle or a triangle in the square at the bottom of each diagram, to symbolize the person being tested.

Shade in the symbols for the ancestors whose genetic information is included in each test.

Mitochondrial DNA



Y-chromosome



Admixture

